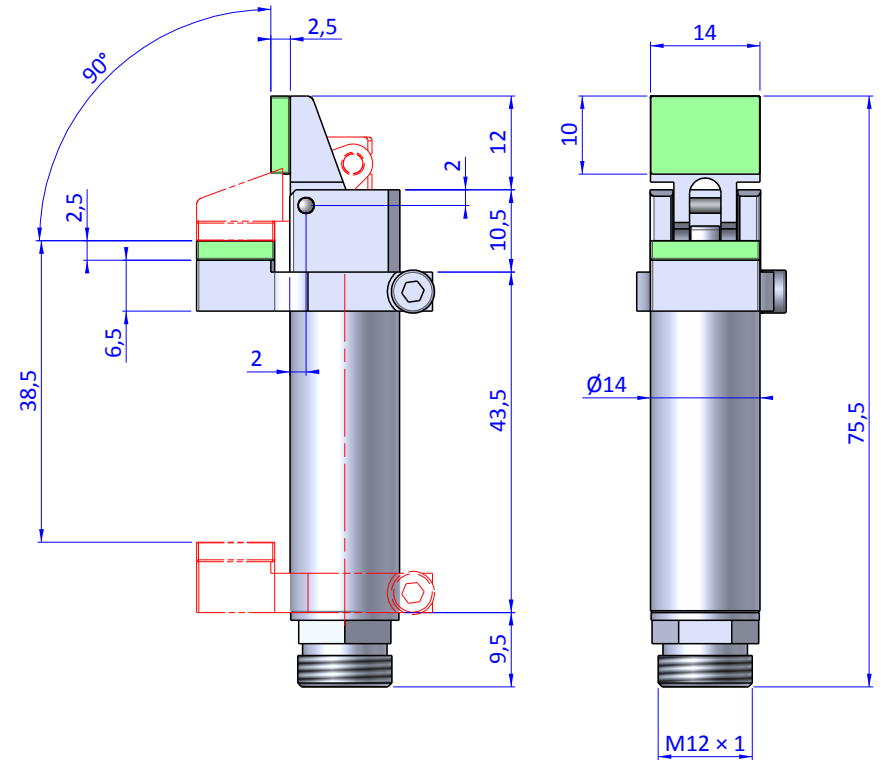
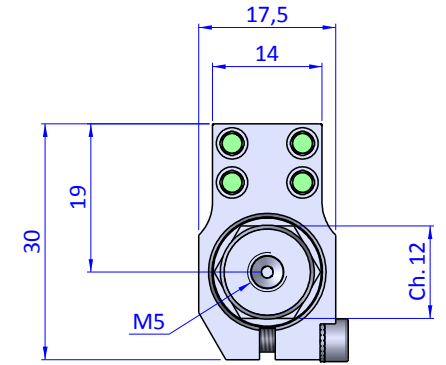
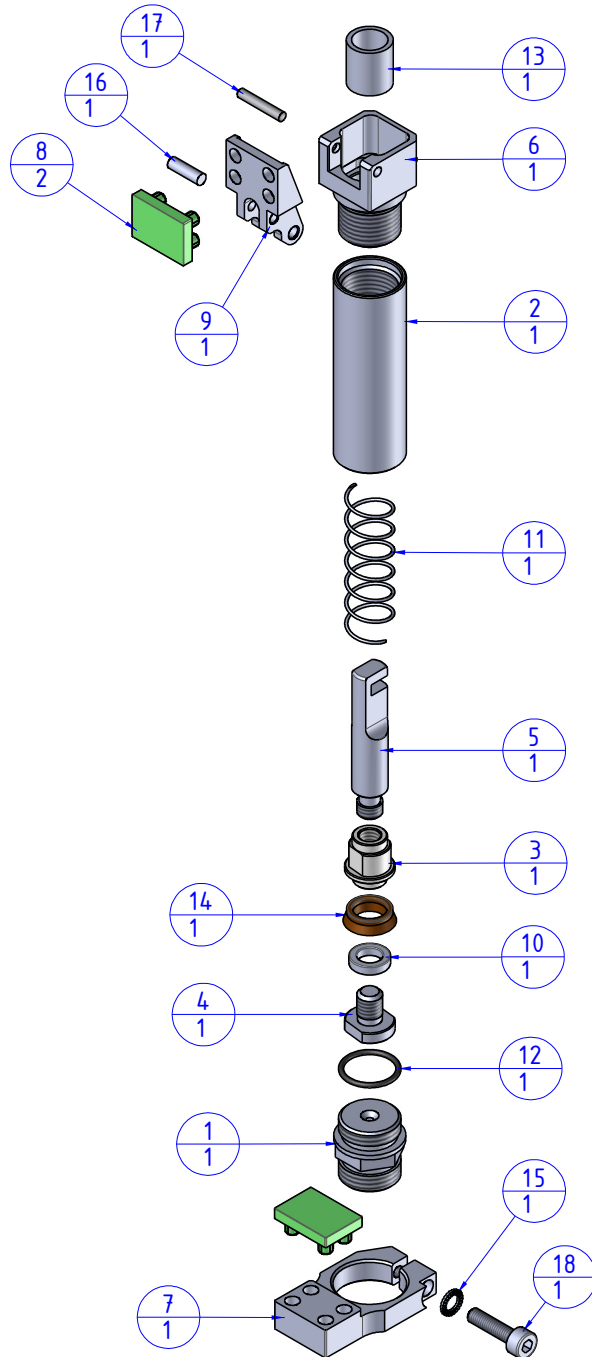



THE PROPERTY OF THE DRAWING IS ESTABLISHED BY LAW. IT IS FORBIDDEN TO PRODUCE OR SHOW IT TO THIRD PARTY WITHOUT A WRITTEN AGREEMENT.

Item	Name	Q.ty
1	GRF14.95.01	1
2	GRF14.95.02	1
3	GRF14.95.03	1
4	GRF14.95.03.2	1
5	GRF14.95.04	1
6	GRF14.95.05	1
7	GRF14.95.07	1
8	GRF14.95.08.V	2
9	GRF14.95.09	1
10	GRF14.95.10	1
11	M.10X32A	1
12	ORM.0100.10	1
13	PAP.070910	1
14	PSP.100603	1
15	R.3.SCH	1
16	SP.2,5x08M6	1
17	SP.2x12M6	1
18	VTCE3x12	1



Format A3

UNI 936-76

 FPS FPSERVICES AUTOMATION		DESIGNED FROM	REVIEW
		FPS Automation	A
GENERAL TOLERANCE	DESCRIPTION	DATE	WEIGHT
UNI - ISO 2768	CA.GRF.1495.G	28/03/2019	0,032kg
CLASSE f		CODE	CA.GRF.1495.G